



Screen Removal/Replacement For Sliding Door

Service Instruction

These instructions apply to:

- Architect Series® 3/2002-12/2004
- Designer Series® 3/1997-12/2004
- ProLine® 1991-8/1997

Tools Required:

- Phillips head screwdriver

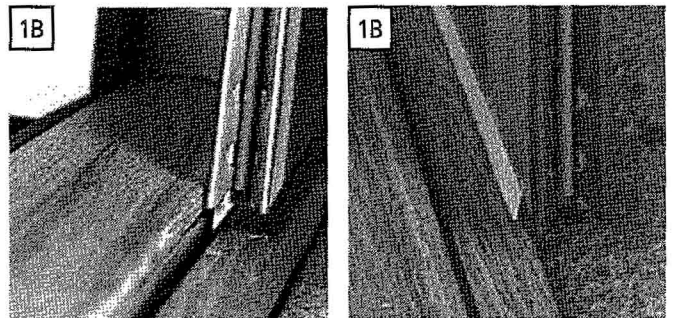
Note: Photos show Designer Series® screen.

1 Removing The Existing Screen:

A. Remove the two screen hanger screws located at the top of screen.



B. Lift up the screen and pull the bottom out to release the leaf from the groove in the door sill.

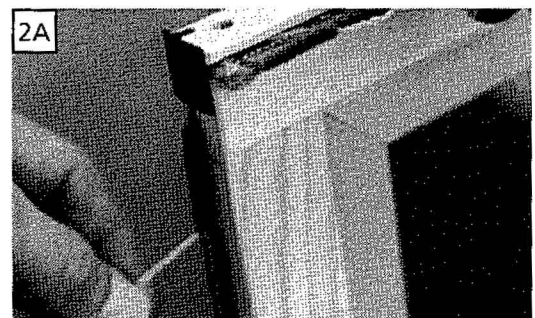


2 Installing The New Screen:

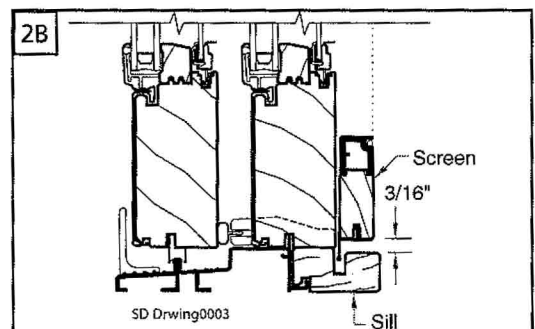
A. Remove the strings from the pile insect stripping on the replacement screen door.

B. Replace the screen by placing the top of the screen into position at the head of the door. Lift up and slide the bottom over the sill groove. Be sure the leaf slides into the groove.

C. Align the screen hanger holes with the holes in the screen roller. Install the two hanger screws, and adjust the screws so that the screen meets the lock jamb squarely.



Note: DO NOT OVER TIGHTEN or the screen will not slide properly. Approximately 3/16" clearance between the sill and the screen is recommended.



© Pella Corporation 2005

